

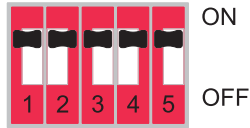
ATS Controller ACD-M Installation Manual



O-Sung Electric Machinery Co., Ltd.

ACD-M Setting

◆ Function Settings (Dip Switch)



Dip	List of Function	ON	OFF
1	Priority Source	Enable	Disable
2	Source Select (Priority)	A - Power	B - Power
3	Transfer Method	2 - Position ¹⁾	3 - Position ²⁾
4	Voltage Sensing	Single Phase ³⁾	Three Phase
5	In-phase Transfer ⁴⁾	Disable	Enable

1) 2-Position : A ↔ B Transfer

2) 3-Position : A ↔ OFF ↔ B Transfer

3) Wiring to L1 & N

4) 2-Position available when setting

◆ Cause of Lamp Blinking

Blinking	Power Lamp	Fault Lamp
1 Time	-	External Trip Signal
2 Time	Under Voltage, Under Frequency	ATS - ON Failed
3 Time	Over Voltage, Over Frequency, Phase Rotation	ATS - OFF Failed
4 Time	-	Synchronized Failure

◆ Basic Settings

Dip	List of Function	Adjustment Range	Default
> P0	Rated Voltage ¹⁾	22, 23, 24, 00 ²⁾	22: 220V
> P1	Rated Frequency	50, 60 [Hz]	60Hz
> P2	A-ON Time Delay	00~99 [sec] ³⁾	05s
> P3	B-ON Time Delay	00~99 [sec] ³⁾	05s
> P4	A-OFF Time Delay	00~99 [sec] ³⁾	05s
> P5	B-OFF Time Delay	00~99 [sec] ³⁾	05s
> P6	Phase Rotation	Fd, rd ⁴⁾	Fd
> P7	In-phase Transfer Time Delay	00~99 [sec] ³⁾	05s







1) Phase voltage standards

2) 22:220V, 23:230V, 24:240V, 00: Disable voltage protection function

3) Set in 1 second increments

4) Fd: CW, rd: CCW

1) Setting Method : Press  for more than 2 seconds in manual mode.

2) Move to P0~P7 using  & , then move to the setting range with , select the setting range with  & , and save by pressing .

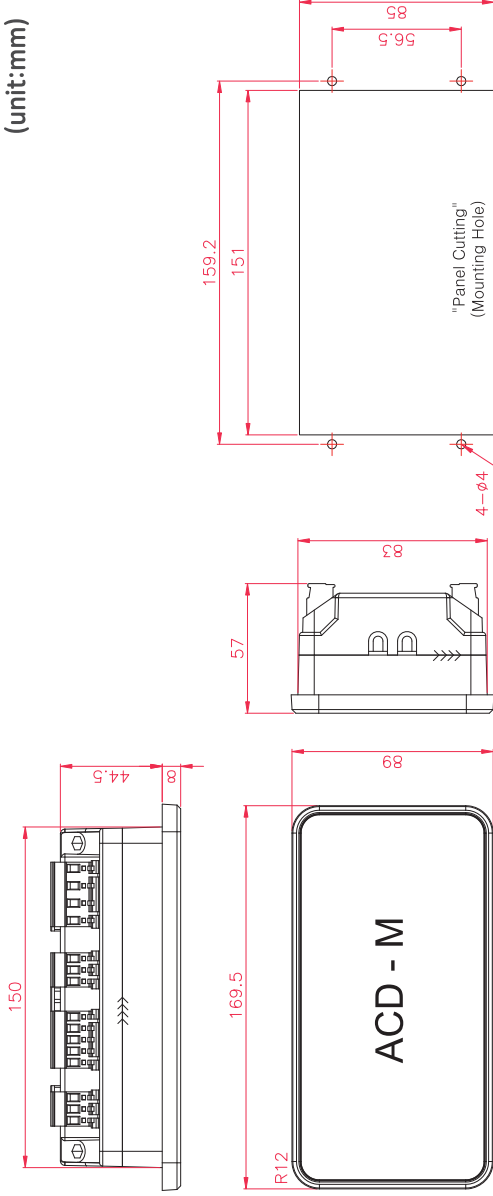
3) If there is no input signal for 1 minute on the setting screen, it returns to the initial screen.

4) Depending on the function setting(Dip Switch), "P0~P7" may not be represented.

Outline Dimension

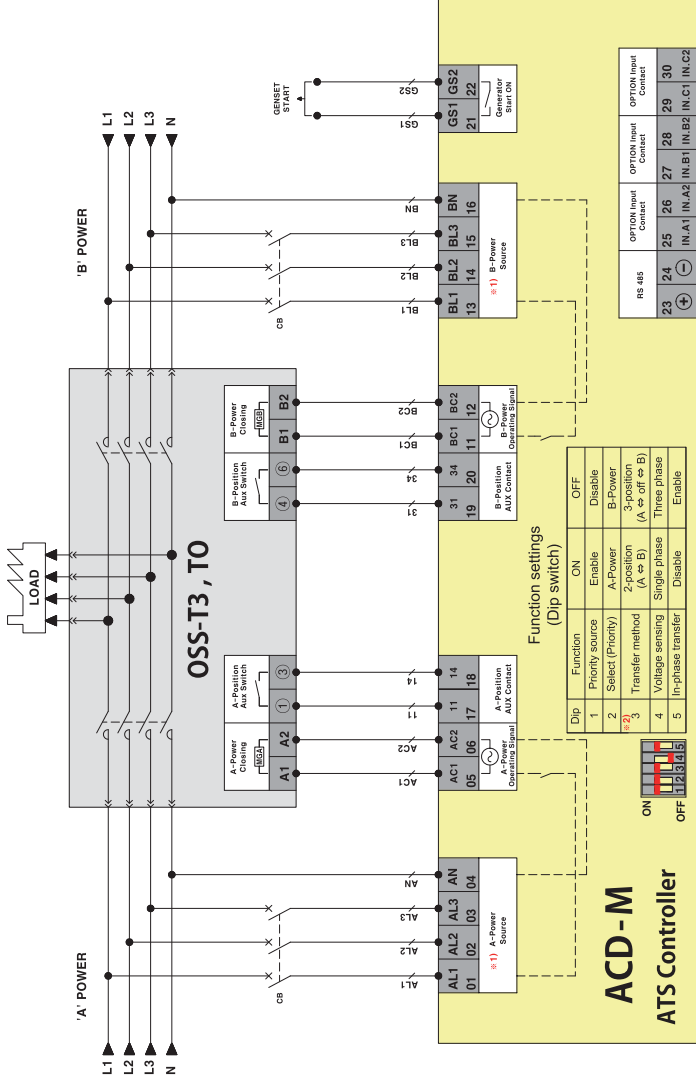
04

(unit:mm)



Wiring Diagram

OSS-T3, TO Type (AC220V) 3Ø4W 380/220V 2-Position(A↔B)

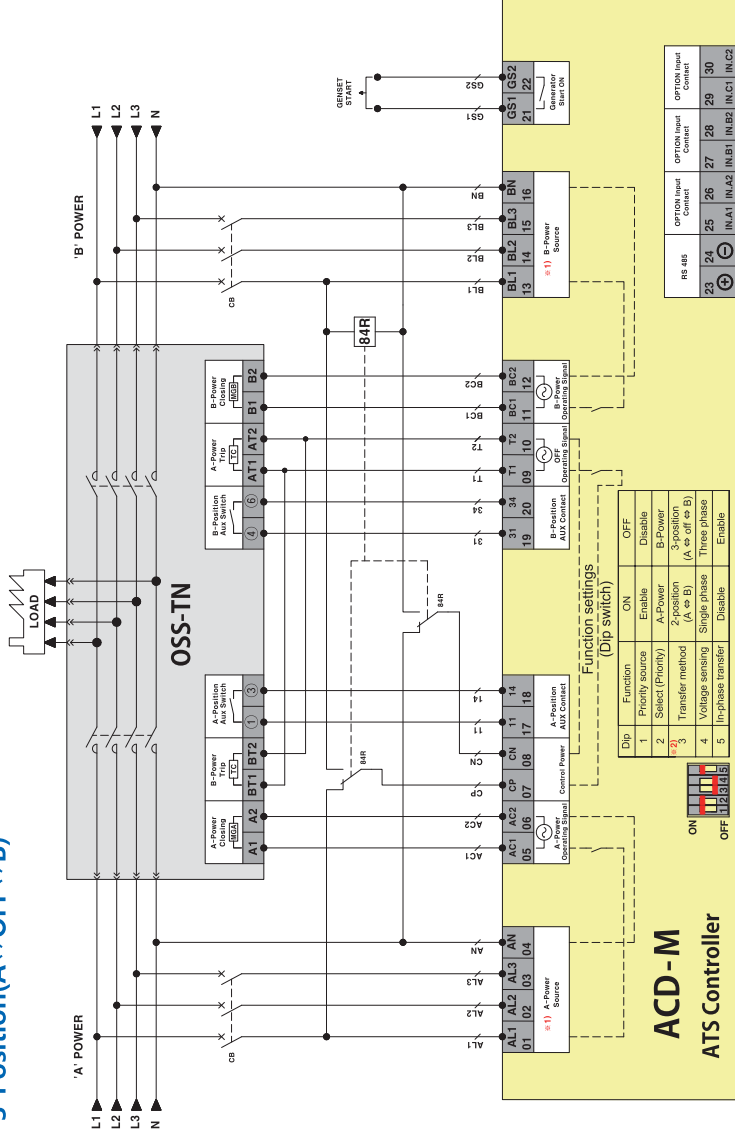


※ 1) If the A/B-Power Source input is single phase, connect power to the AL1, AN & BL1, BN terminals.

※ 2) Turn ON the No. 3 DIP switch.

Wiring Diagram

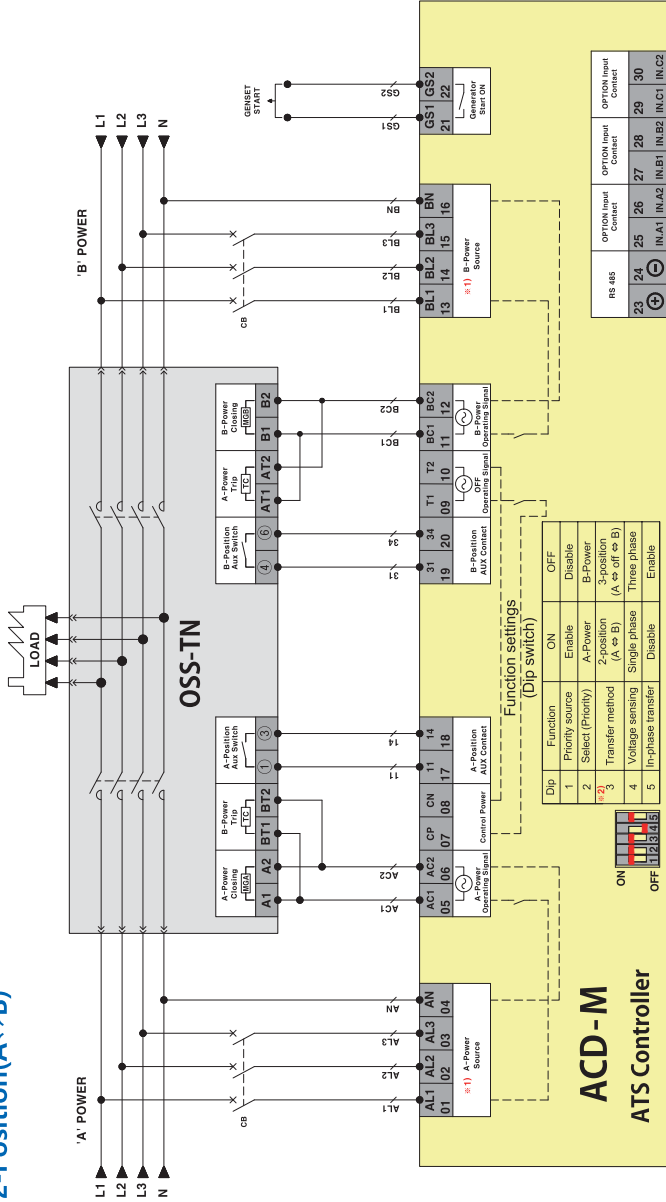
OSS-TN Type (AC220V) 3Ø4W 380/220V 3-Position(A↔OFF↔B)



- ※ 1) If the A/B-Power Source input is single phase, connect power to the AL1, AN & BL1, BN terminals.
- ※ 2) Turn OFF the No. 3 DIP switch.

Wiring Diagram

OSS-TN Type (AC220V) 3Ø4W 380/220V 2-Position(A↔B)



※ 1) If the A/B-Power Source input is single phase, connect power to the AL1, AN & BL1, BN terminals.

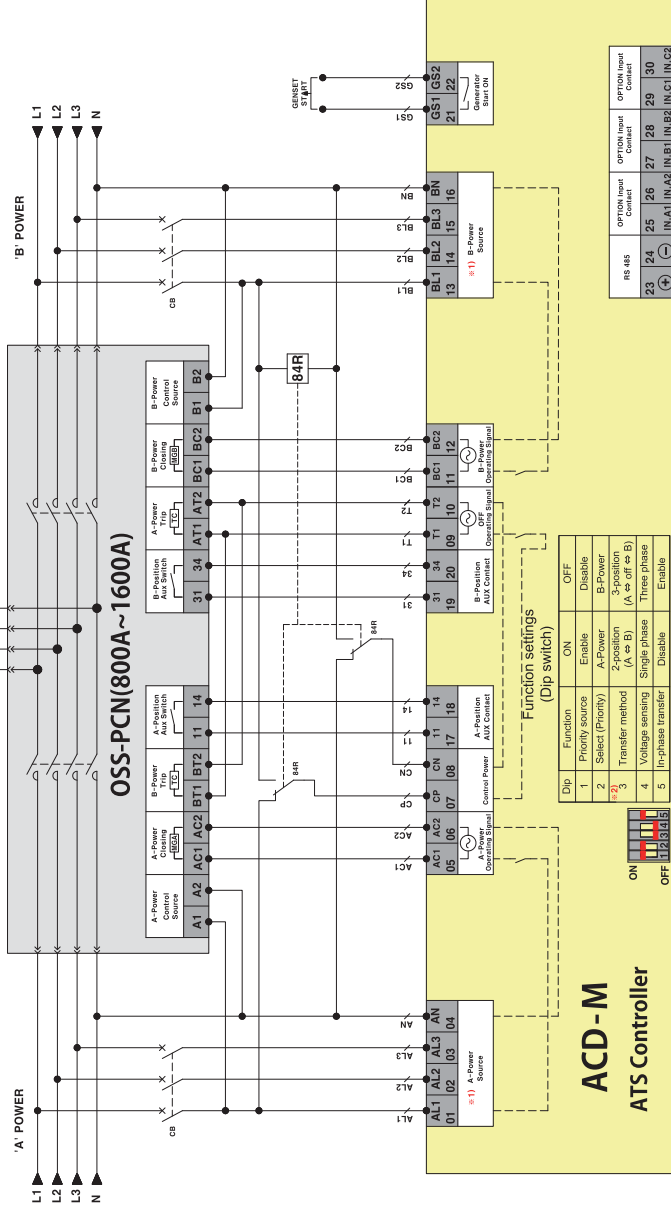
※ 2) Turn ON the No. 3 Dip switch.

Wiring Diagram

OSS-PCN Type (AC220V) 3Ø4W 380/220V

800A ~ 1600A

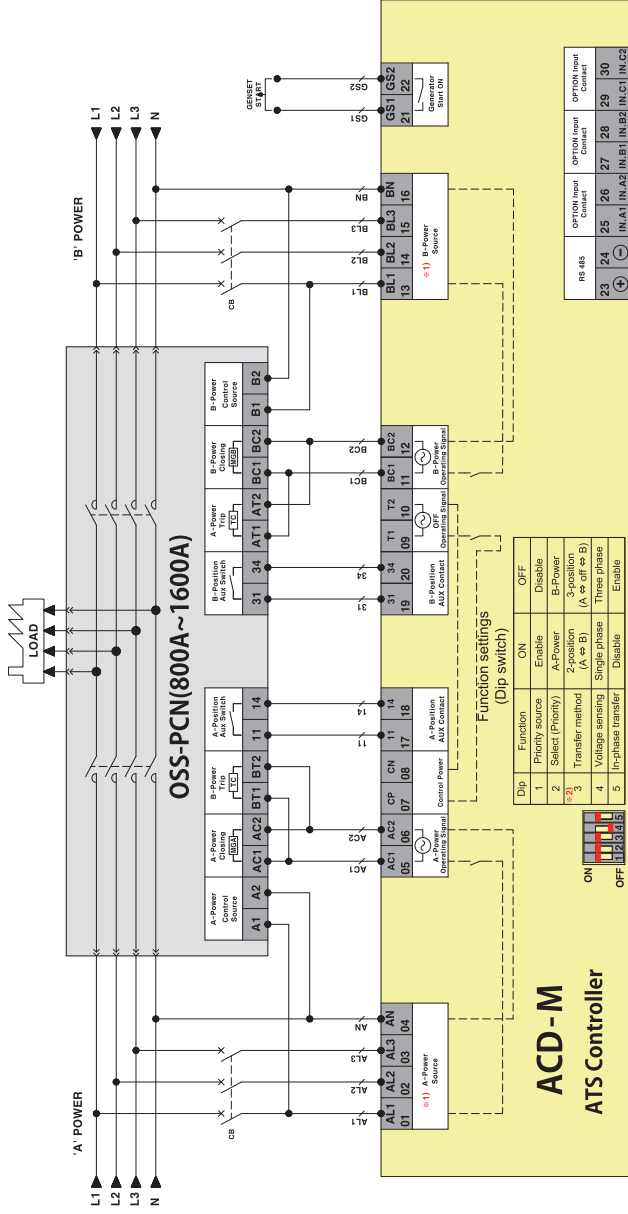
3-Position(A ↔ OFF ↔ B)



※ 1) If the A/B-Power Source input is single phase, connect power to the A1, AN & BL1, BN terminals.
 ※ 2) Turn OFF the No. 3 DIP switch.

Wiring Diagram

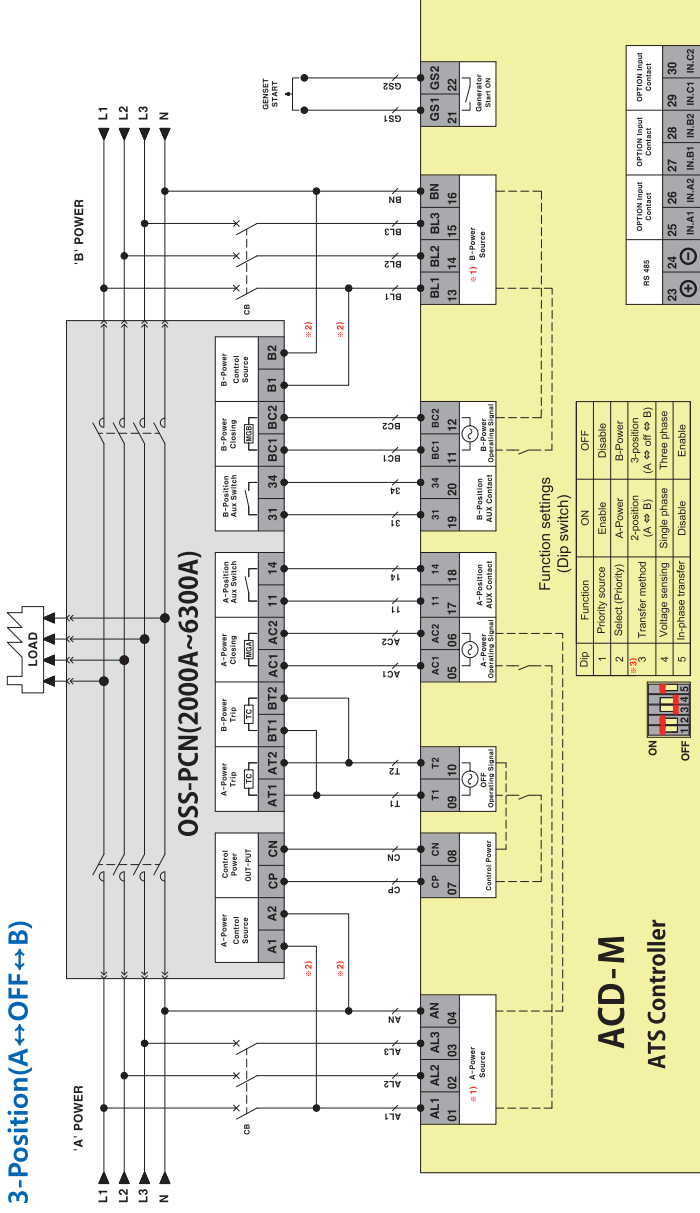
OSS-PCN Type (AC220V) 3Ø4W 380/220V 800A ~ 1600A 2-Position(A ↔ B)



※ 1) If the A/B-Power Source input is single phase, connect power to the AL1, AN & BL1, BN terminals.

※ 2) Turn ON the No. 3 DIP switch.

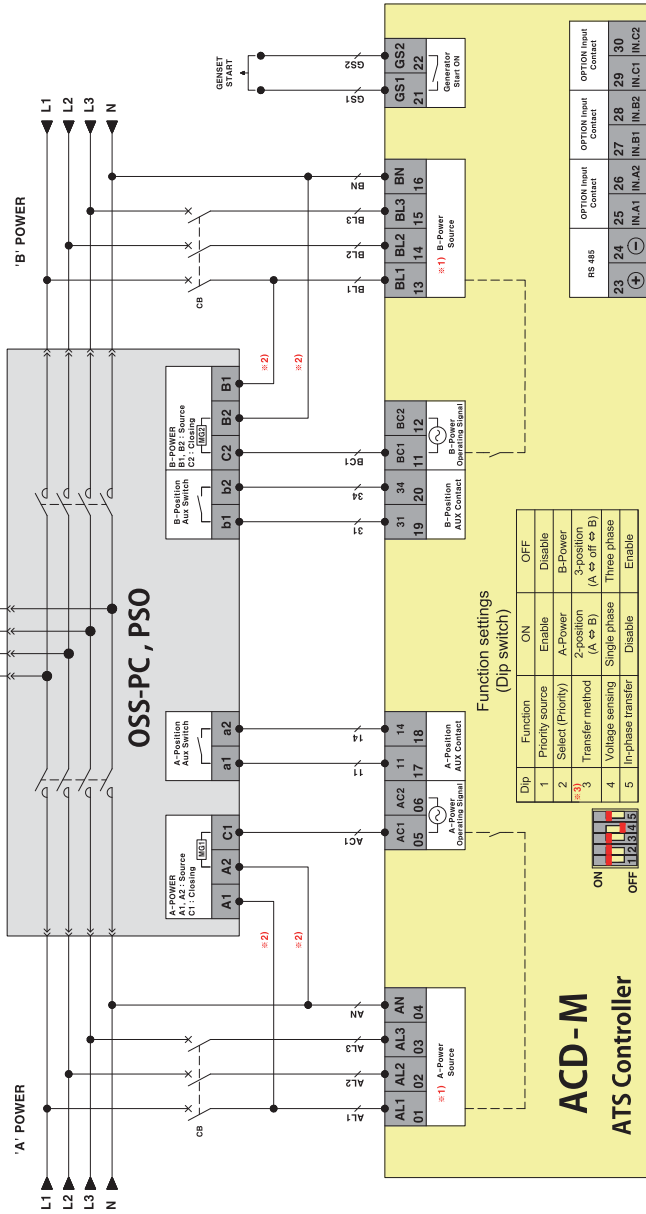
OSS-PCN Type (AC220V) 3Ø4W 380/220V 2000A ~ 6300A 3-Position(A ↔ OFF ↔ B)



- ※ 1) If the A/B-Power source input is single phase, connect power to the AL1, AN & BL1, BN terminals.
- ※ 2) More than 4.0mm² power cable used for 2,000A ATS or less.
More than 6.0mm² power cable used for 4,000A ATS or less.
- ※ 3) Turn OFF the No. 3 DIP switch.

Wiring Diagram

OSS-PC, PSO Type (AC220V) 3Ø4W 380/220V 2-Position(A ↔ B)



※ 1) If the A/B-Power Source input is single phase, connect power to the AL1, AN & BL1, BN terminals.

※ 2) More than 2.5mm² power cable used for 1,600A ATS or less.

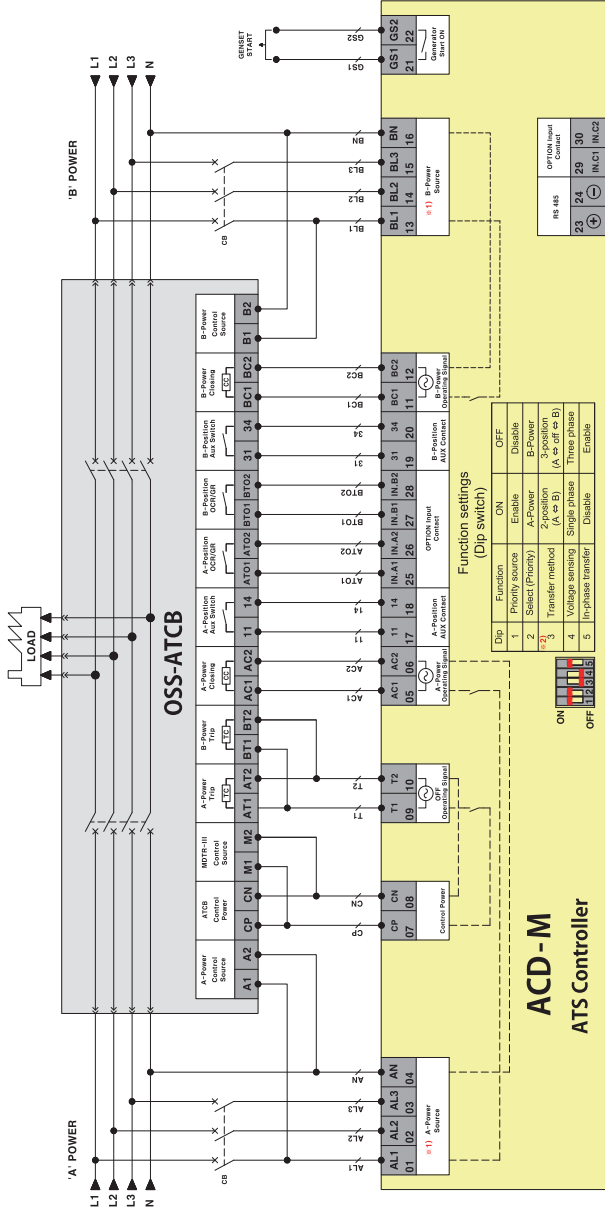
More than 4.0mm² power cable used for 2,000A ATS or less.

More than 6.0mm² power cable used for 4,000A ATS or less.

※ 3) Turn ON the No. 3 DIP switch.

Wiring Diagram

OSS-ATCB Type (AC220V) 3Ø4W 380/220V 3-Position(A ↔ OFF ↔ B)



- ※ 1) If the A/B-Power Source input is single phase, connect power to the AL1, AN & BL1, BN terminals.
- ※ 2) Turn OFF the No. 3 Dip switch.

A large grid of graph paper, consisting of 20 columns and 30 rows of small squares, intended for writing or drawing.



O-Sung Electric Machinery Co., Ltd.

※ Product specifications may change without notice for quality improvement purpose.

Head Office & Factory:

ADDR :136, Hantaemal-gil, Wollong-myeon, Paju-si, Gyeonggi-do, KOREA

TEL : 82-31-944-3521

FAX : 82-31-944-3525

E-MAIL : inquiry@osemco.com

WEBSITE : <http://www.osemco.com>

Catalog No. ACD-M-2307